

FEIFU RUBBER SEALS 菲夫橡胶密封件

浙江菲夫橡胶密封件有限公司
ZHEJIANG FEIFU RUBBER SEALS CO., LTD.

浙江菲夫自控设备有限公司
ZHEJIANG FEIFU AUTOMATIC CONTROL EQUIPMENT CO., LTD.

手机: 137-0686-5308
137-0686-6308
137-0686-7308

传真: 0576-89925988
邮箱: sales16@zjfeifu.cn
网址: www.feifuj.com



浙江省玉环市沙门镇滨港工业城滨港大道549号



浙江菲夫橡胶密封件有限公司
ZHEJIANG FEIFU RUBBER SEALS CO., LTD.



目录

公司介绍	01
车间、证书照片	02
产品、设备照片	04
O型圈规格表	06
产品应用说明	18

FEIFU INTRODUCTION

公司介绍

浙江菲夫自控设备有限公司是专业从事水暖、卫浴、阀门、燃气、家电、泵业、气动、机械、医疗密封件系列设计开发，汽车橡胶零部件的设计开发，生产及销售为一体的国家高新技术企业，创建于2012年，注册资金3500万元，占地面积18000平米。

现已成为汽车橡胶零部件、家电橡胶配件、卫浴洁具橡胶配件、气动橡胶配件、五金机械胶配件及各种用途胶管、胶条等橡胶工业制品优秀供应厂商。汽车配件除出口及国内汽车主机厂配套，在卫浴、家电、泵业等行业成为国内、国际许多知名企业主要供应厂商及长期战略合作伙伴。获得国家涉水产品卫生许可批件，通过美国NSF、UL、FDA、英国WRAS、德国KTW、W270、DVGW、EN549、EN682、EN681、法国ACS、澳洲WATERMARK等国家产品认证，公司所有原料和制品均达到欧盟REACH法规、ROHS指令、PAHS指令、邻苯二甲酸盐指令、PFOS指令要求，确保本公司产品和客户产品能安全进入国际市场。

公司通过IAF16949国际汽车工业质量体系认证、ISO9001质量管理体系认证、ISO14001环境管理体系认证、OHSAS18001职业健康安全认证。利用ERP系统进行生产管理和条码化物流管理，确保交期、品质成本得到有效控制。

公司以“追求卓越，求实创新，控制过程，改进效率，服务客户，奉献社会”为质量方针，以“实现零缺陷”为质量目标，秉承高品质理念，建立并完善高标准质量保证体系。

Zhejiang feifu automatic control equipment co.,ltd.is a modern enterprise specialized in the design,development,it was founded in 2012 with a registered capital of 35million yuan and an area of 8,000 square meters.

Now it has become an excellent supplier of rubber industrial products such as auto rubber parts, home appliance rubber parts, sanitary ware rubber parts, pneumatic rubber parts, hardware machinery rubber parts and rubber pipes for various purposes and rubber strips , In addition to exporting auto parts and supporting domestic automobile main engine plant, it has become a major supplier and long-term strategic partner of many well-known domestic and international enterprises in industries such as sanitary ware, home appliances and pump industry. National wading product health permission, approval documents by the NSF, UL, FDA, British WRAS, Germany KTW, W270,DVGW, EN549, EN682, WATERMARK ACS, EN681,France Australia and other countries products certification, the company all raw materials and products to the eu REACH regulation, ROHS directive, PAHS instructions, phthalates, PFOS directive requirements, to ensure that the company products are safe to enter the international market and clients.

The company has passed IATF16949 international automobile industry quality system certification,ISO9901 quality management system certification. ERP sytem is used for production management and bar code logistics management to ensure delivery time and quality cost are effectively controlled.

With the quality policy of “pursuing excellence, seeking truth and innovation, controlling process,improving efficiency, serving customers and contributing to society” and the quality goal of “ achieving zero defects” ,the company adheres to the concept of high quality and establishes and improves a high standard quality assurance system.



车间环境



资质认证



产品照片



检测设备照片



材料名称	物理等级	物性要求	丙烯酸酯	丁基橡胶	丁苯橡胶	天然橡胶	氯磺橡胶	聚氨酯	聚四氟乙烯	全氟橡胶	氟硅橡胶	四丙氟橡胶	氟素橡胶	氟丁橡胶	硅橡胶	三元乙丙橡胶	羧基丁氟橡胶	氯化丁氟橡胶	丁氟橡胶	
			ACR(A)	IIR(I)	SBR(B)	NR(R)	ECO(O)	PU(U)	PTFE(T)	FFKM(K)	FVMQ(F)	AFLASR(L)	FKM(V)	CR(C)	VMQ(S)	EPDM(E)	XNBR(X)	HMBR(H)	NBR(N)	
	抗臭氧性		◎	◎	×	×	◎	◎	◎	◎	◎	◎	◎	◎	◎	◎	◎	◎	◎	△
	耐候性		◎	◎	△	×	○	○	◎	◎	◎	◎	◎	○	◎	◎	◎	◎	◎	○
	耐热性		150°C	120°C	110°C	90°C	135°C	90°C	280°C	320°C	175°C	175°C	200°C	120°C	220°C	150°C	150°C	150°C	120°C	
	耐化学药品性		×	×	△	×	○	◎	◎	◎	△	◎	◎	○	○	×	○	○	○	
	耐油性		◎	×	×	×	○	◎	◎	◎	◎	◎	◎	○	○	○	◎	◎	◎	
	密水性		◎	◎	○	◎	○	◎	◎	◎	△	◎	◎	○	○	◎	◎	◎	○	
	耐寒性		-25°C	-50°C	-40°C	-60°C	-35°C	-40°C	-100°C	-20°C	-60°C	-30°C	-20°C	-40°C	-70°C	-50°C	-35°C	-40°C	-40°C	
	耐磨损性		△	○	◎	◎	◎	◎	◎	◎	×	◎	◎	○	◎	◎	◎	◎	◎	
	抗变形性		△	○	◎	◎	○	×	×	◎	◎	◎	◎	△	△	◎	△	○	◎	
	耐酸性		△	○	◎	◎	◎	◎	◎	◎	△	◎	◎	◎	△	◎	◎	◎	◎	
	耐碱性		△	○	◎	◎	◎	◎	◎	◎	△	◎	◎	◎	△	◎	◎	◎	◎	
	张力强度		△	○	◎	◎	◎	◎	△	◎	◎	◎	◎	◎	◎	◎	◎	◎	◎	
	耐蒸气性		×	○	◎	◎	◎	×	○	◎	◎	◎	◎	△	◎	◎	◎	◎	◎	
	抗燃性		△	△	×	×	△	△	◎	◎	△	◎	◎	○	△	×	△	×	×	
	储存稳定性 (Y=年)		ABT20Y	5-10Y	5-10Y	3-5Y	5-10Y	ABT20Y	ABT20Y	ABT20Y	ABT20Y	ABT20Y	ABT20Y	5-10Y	ABT20Y	5-10Y	5-10Y	5-10Y	5-10Y	

图示说明 ◎ 特佳 ○ 佳 △ 普通 × 差

编码	产品尺寸 (内径*线径)
F0001	1.00*1.00
F0002	1.07*1.27
F0003	1.50*1.00
F0004	1.50*1.50
F0005	1.78*1.78
F0006	1.80*1.50
F0007	2.00*1.00
F0008	2.00*1.50
F0009	2.00*2.00
F0010	2.00*2.50
F0011	2.10*1.50
F0012	2.20*1.90
F0013	2.30*2.00
F0014	2.40*1.80
F0015	2.50*1.50
F0016	2.55*1.85
F0017	2.57*1.78
F0018	2.65*1.95
F0019	2.80*1.90
F0020	2.84*2.62
F0021	2.90*1.78
F0022	3.00*1.00
F0023	3.00*1.50
F0024	3.00*2.00
F0025	3.00*2.10
F0026	3.00*2.50
F0027	3.00*3.00
F0028	3.15*1.80
F0029	3.20*1.90
F0030	3.35*1.78
F0031	3.40*1.50
F0032	3.50*1.00
F0033	3.50*1.20
F0034	3.50*1.50

编码	产品尺寸 (内径*线径)
F0035	3.50*1.80
F0036	3.50*2.00
F0037	3.50*3.00
F0038	3.63*2.62
F0039	3.68*1.78
F0040	3.68*2.03
F0041	3.70*2.30
F0042	3.80*1.50
F0043	3.80*1.90
F0044	4.00*0.50
F0045	4.00*1.00
F0046	4.00*1.20
F0047	4.00*1.50
F0048	4.00*1.80
F0049	4.00*2.00
F0050	4.00*2.50
F0051	4.00*3.00
F0052	4.10*1.60
F0053	4.20*1.90
F0054	4.20*2.20
F0055	4.25*2.00
F0056	4.42*2.62
F0057	4.47*1.78
F0058	4.50*1.00
F0059	4.50*1.50
F0060	4.50*1.80
F0061	4.50*2.10
F0062	4.60*2.50
F0063	4.70*1.42
F0064	4.80*1.60
F0065	4.80*1.80
F0066	4.87*1.80
F0067	4.90*1.90
F0068	5.00*1.00

编码	产品尺寸 (内径*线径)
F0069	5.00*1.50
F0070	5.00*1.70
F0071	5.00*2.00
F0072	5.00*2.50
F0073	5.00*3.00
F0074	5.00*3.20
F0075	5.00*3.25
F0076	5.00*3.50
F0077	5.10*1.60
F0078	5.16*1.27
F0079	5.23*2.62
F0080	5.28*1.78
F0081	5.30*2.40
F0082	5.40*1.80
F0083	5.40*2.60
F0084	5.40*2.70
F0085	5.50*1.50
F0086	5.50*1.80
F0087	5.50*2.50
F0088	5.60*1.27
F0089	5.80*1.90
F0090	5.80*2.60
F0091	5.90*1.70
F0092	5.94*3.53
F0093	6.00*1.00
F0094	6.00*1.50
F0095	6.00*1.60
F0096	6.00*1.80
F0097	6.00*1.90
F0098	6.00*2.00
F0099	6.00*2.20
F0100	6.00*2.50
F0101	6.00*3.00
F0102	6.00*3.70

编码	产品尺寸 (内径*线径)
F0103	6.00*4.00
F0104	6.00*5.00
F0105	6.02*2.62
F0106	6.07*1.78
F0107	6.20*1.60
F0108	6.20*1.90
F0109	6.30*1.80
F0110	6.40*2.20
F0111	6.50*1.70
F0112	6.50*2.00
F0113	6.50*2.80
F0114	6.60*1.10
F0115	6.60*1.90
F0116	6.70*1.80
F0117	6.80*1.60
F0118	6.80*1.70
F0119	6.80*1.78
F0120	6.80*1.90
F0121	6.80*2.80
F0122	6.80*3.10
F0123	6.90*1.30
F0124	6.90*1.80
F0125	7.00*1.00
F0126	7.00*1.50
F0127	7.00*1.55
F0128	7.00*1.80
F0129	7.00*2.00
F0130	7.00*2.30
F0131	7.00*2.50
F0132	7.00*3.00
F0133	7.10*1.65
F0134	7.10*1.80
F0135	7.10*2.65
F0136	7.20*1.20

编码	产品尺寸 (内径*线径)
F0137	7.20*1.90
F0138	7.30*2.40
F0139	7.40*1.80
F0140	7.50*1.50
F0141	7.50*1.80
F0142	7.50*2.00
F0143	7.50*2.20
F0144	7.52*3.53
F0145	7.59*2.62
F0146	7.65*1.63
F0147	7.65*1.78
F0148	7.70*2.80
F0149	7.80*1.78
F0150	7.80*1.90
F0151	7.80*2.00
F0152	8.00*1.00
F0153	8.00*1.20
F0154	8.00*1.30
F0155	8.00*1.50
F0156	8.00*1.80
F0157	8.00*1.90
F0158	8.00*2.00
F0159	8.00*2.20
F0160	8.00*2.50
F0161	8.00*3.00
F0162	8.00*3.10
F0163	8.00*3.50
F0164	8.10*1.60
F0165	8.10*1.70
F0166	8.20*1.90
F0167	8.50*1.00
F0168	8.50*1.50
F0169	8.50*1.80
F0170	8.50*2.00

编码	产品尺寸 (内径*线径)
F0171	8.50*2.50
F0172	8.50*2.65
F0173	8.60*1.50
F0174	8.70*1.50
F0175	8.75*1.80
F0176	8.76*2.80
F0177	8.80*1.90
F0178	8.80*3.00
F0179	8.90*2.70
F0180	8.92*1.83
F0181	9.00*1.00
F0182	9.00*1.50
F0183	9.00*1.65
F0184	9.00*1.80
F0185	9.00*2.00
F0186	9.00*2.30
F0187	9.00*2.50
F0188	9.00*2.65
F0189	9.00*3.00
F0190	9.00*3.55
F0191	9.12*3.53
F0192	9.19*1.50
F0193	9.19*2.62
F0194	9.20*1.20
F0195	9.20*1.80
F0196	9.25*1.78
F0197	9.30*2.20
F0198	9.30*2.40
F0199	9.40*1.80
F0200	9.48*2.62
F0201	9.50*1.50
F0202	9.50*1.60
F0203	9.50*2.00
F0204	9.50*2.65

编码	产品尺寸 (内径*线径)
F0205	9.50*2.80
F0206	9.75*1.78
F0207	9.80*1.90
F0208	9.80*2.40
F0209	10.00*1.00
F0210	10.00*1.20
F0211	10.00*1.50
F0212	10.00*1.80
F0213	10.00*2.00
F0214	10.00*2.50
F0215	10.00*2.65
F0216	10.00*3.00
F0217	10.00*3.50
F0218	10.00*4.00
F0219	10.10*1.60
F0220	10.20*1.20
F0221	10.20*2.00
F0222	10.20*2.80
F0223	10.50*1.80
F0224	10.50*2.00
F0225	10.60*2.20
F0226	10.60*2.40
F0227	10.60*2.65
F0228	10.69*1.68
F0229	10.69*3.53
F0230	10.70*1.90
F0231	10.70*2.65
F0232	10.77*2.62
F0233	10.80*1.60
F0234	10.80*2.40
F0235	10.82*1.02
F0236	10.82*1.78
F0237	11.00*1.00
F0238	11.00*1.50

编码	产品尺寸 (内径*线径)
F0239	11.00*1.80
F0240	11.00*1.90
F0241	11.00*2.00
F0242	11.00*2.50
F0243	11.00*2.80
F0244	11.00*3.00
F0245	11.00*3.50
F0246	11.20*1.20
F0247	11.20*2.65
F0248	11.20*2.70
F0249	11.30*2.40
F0250	11.30*2.50
F0251	11.40*2.00
F0252	11.40*2.20
F0253	11.50*2.50
F0254	11.60*1.80
F0255	11.60*2.20
F0256	11.60*2.60
F0257	11.60*3.20
F0258	11.70*2.45
F0259	11.80*1.80
F0260	11.80*2.40
F0261	11.80*2.65
F0262	12.00*1.00
F0263	12.00*1.50
F0264	12.00*1.60
F0265	12.00*1.80
F0266	12.00*2.00
F0267	12.00*2.25
F0268	12.00*2.50
F0269	12.00*3.00
F0270	12.00*3.50
F0271	12.00*5.00
F0272	12.27*2.62

编码	产品尺寸 (内径*线径)
F0273	12.29*3.53
F0274	12.30*2.40
F0275	12.30*2.60
F0276	12.37*2.62
F0277	12.42*1.78
F0278	12.50*1.50
F0279	12.50*1.80
F0280	12.50*2.50
F0281	12.50*2.65
F0282	12.60*3.20
F0283	12.70*1.30
F0284	12.70*3.50
F0285	12.80*1.50
F0286	12.80*2.40
F0287	12.90*1.24
F0288	13.00*1.00
F0289	13.00*1.50
F0290	13.00*1.80
F0291	13.00*2.00
F0292	13.00*2.50
F0293	13.00*3.00
F0294	13.00*4.30
F0295	13.20*1.00
F0296	13.20*1.20
F0297	13.20*1.80
F0298	13.20*2.40
F0299	13.20*2.65
F0300	13.30*2.40
F0301	13.46*2.08
F0302	13.50*5.40
F0303	13.60*2.20
F0304	13.60*2.65
F0305	13.80*1.60
F0306	13.80*2.40

编码	产品尺寸 (内径*线径)
F0307	13.80*2.80
F0308	13.80*3.40
F0309	13.87*3.53
F0310	13.90*2.20
F0311	13.90*3.20
F0312	13.94*2.62
F0313	14.00*1.00
F0314	14.00*1.20
F0315	14.00*1.30
F0316	14.00*1.50
F0317	14.00*1.60
F0318	14.00*1.78
F0319	14.00*2.00
F0320	14.00*2.10
F0321	14.00*2.20
F0322	14.00*2.50
F0323	14.00*2.65
F0324	14.00*3.00
F0325	14.00*3.50
F0326	14.00*4.00
F0327	14.10*2.70
F0328	14.30*2.40
F0329	14.50*1.50
F0330	14.50*1.70
F0331	14.50*2.00
F0332	14.50*2.65
F0333	14.80*2.40
F0334	14.81*1.02
F0335	15.00*0.80
F0336	15.00*1.00
F0337	15.00*1.40
F0338	15.00*1.50
F0339	15.00*1.60
F0340	15.00*1.80

编码	产品尺寸 (内径*线径)
F0341	15.00*2.00
F0342	15.00*2.50
F0343	15.00*2.65
F0344	15.00*3.00
F0345	15.00*4.00
F0346	15.04*1.78
F0347	15.10*2.70
F0348	15.20*2.40
F0349	15.25*3.20
F0350	15.47*3.53
F0351	15.50*1.60
F0352	15.50*2.50
F0353	15.54*2.62
F0354	15.60*1.78
F0355	15.60*1.90
F0356	15.80*2.40
F0357	15.80*2.75
F0358	15.88*2.62
F0359	16.00*1.00
F0360	16.00*1.50
F0361	16.00*1.80
F0362	16.00*1.90
F0363	16.00*2.00
F0364	16.00*2.20
F0365	16.00*2.50
F0366	16.00*2.65
F0367	16.00*3.00
F0368	16.00*3.50
F0369	16.00*4.50
F0370	16.10*1.60
F0371	16.36*2.21
F0372	16.40*1.80
F0373	16.50*2.00
F0374	16.50*2.20

编码	产品尺寸 (内径*线径)
F0375	16.50*2.30
F0376	16.56*2.62
F0377	16.80*2.40
F0378	16.81*5.33
F0379	17.00*0.80
F0380	17.00*1.50
F0381	17.00*1.80
F0382	17.00*2.00
F0383	17.00*2.50
F0384	17.00*2.65
F0385	17.00*2.80
F0386	17.00*3.00
F0387	17.00*4.00
F0388	17.04*3.53
F0389	17.12*2.62
F0390	17.17*1.78
F0391	17.20*3.00
F0392	17.30*2.10
F0393	17.50*2.00
F0394	17.50*2.20
F0395	17.50*2.50
F0396	17.80*2.00
F0397	17.80*2.40
F0398	18.00*1.00
F0399	18.00*1.50
F0400	18.00*1.50
F0401	18.00*1.80
F0402	18.00*2.00
F0403	18.00*2.20
F0404	18.00*2.50
F0405	18.00*2.65
F0406	18.00*2.80
F0407	18.00*3.00
F0408	18.00*3.10

编码	产品尺寸 (内径*线径)
F0409	18.00*3.20
F0410	18.00*3.50
F0411	18.42*5.33
F0412	18.50*2.50
F0413	18.50*3.20
F0414	18.50*7.00
F0415	18.60*1.34
F0416	18.64*3.53
F0417	18.72*2.62
F0418	18.77*1.78
F0419	18.92*3.18
F0420	19.00*1.00
F0421	19.00*1.50
F0422	19.00*1.80
F0423	19.00*2.00
F0424	19.00*2.50
F0425	19.00*2.65
F0426	19.00*3.00
F0427	19.00*3.55
F0428	19.18*2.46
F0429	19.50*2.60
F0430	19.50*4.80
F0431	19.80*2.10
F0432	19.80*2.40
F0433	20.00*0.80
F0434	20.00*1.50
F0435	20.00*1.80
F0436	20.00*2.00
F0437	20.00*2.20
F0438	20.00*2.50
F0439	20.00*2.65
F0440	20.00*3.00
F0441	20.00*3.30
F0442	20.00*3.55

编码	产品尺寸 (内径*线径)
F0443	20.00*4.00
F0444	20.00*5.50
F0445	20.22*3.53
F0446	20.29*2.62
F0447	20.35*1.78
F0448	20.60*1.90
F0449	20.60*2.00
F0450	20.80*2.40
F0451	21.00*1.00
F0452	21.00*1.50
F0453	21.00*1.90
F0454	21.00*2.00
F0455	21.00*2.50
F0456	21.00*3.00
F0457	21.00*3.50
F0458	21.00*4.00
F0459	21.20*1.80
F0460	21.20*2.40
F0461	21.20*2.65
F0462	21.30*1.90
F0463	21.40*3.50
F0464	21.50*1.50
F0465	21.50*2.00
F0466	21.50*2.50
F0467	21.80*1.60
F0468	21.80*2.40
F0469	21.80*3.10
F0470	21.80*3.50
F0471	21.82*3.53
F0472	21.89*2.62
F0473	21.92*2.95
F0474	21.95*1.78
F0475	21.95*3.20
F0476	22.00*1.00

编码	产品尺寸 (内径*线径)
F0477	22.00*1.50
F0478	22.00*2.00
F0479	22.00*2.50
F0480	22.00*3.00
F0481	22.10*3.50
F0482	22.20*2.40
F0483	22.33*3.10
F0484	22.40*1.80
F0485	22.40*2.65
F0486	22.45*3.04
F0487	22.50*2.65
F0488	22.60*1.50
F0489	22.80*2.40
F0490	23.00*1.00
F0491	23.00*1.50
F0492	23.00*2.00
F0493	23.00*2.20
F0494	23.00*2.50
F0495	23.00*3.00
F0496	23.00*3.50
F0497	23.20*2.40
F0498	23.39*3.53
F0499	23.47*2.62
F0500	23.47*2.95
F0501	23.50*2.65
F0502	23.52*1.78
F0503	23.60*1.80
F0504	23.60*2.65
F0505	23.70*3.50
F0506	23.80*4.00
F0507	24.00*1.50
F0508	24.00*2.00
F0509	24.00*2.60
F0510	24.00*2.65

编码	产品尺寸 (内径*线径)
F0511	24.00*3.00
F0512	24.00*3.50
F0513	24.00*6.50
F0514	24.40*3.10
F0515	24.50*2.65
F0516	24.70*3.50
F0517	24.77*5.33
F0518	24.99*3.53
F0519	25.00*1.50
F0520	25.00*1.80
F0521	25.00*2.00
F0522	25.00*2.50
F0523	25.00*2.65
F0524	25.00*2.80
F0525	25.00*3.00
F0526	25.07*2.62
F0527	25.12*1.78
F0528	25.20*2.40
F0529	25.40*1.78
F0530	25.80*1.80
F0531	25.80*2.65
F0532	25.80*3.10
F0533	25.80*3.55
F0534	25.81*3.53
F0535	26.00*1.80
F0536	26.00*2.00
F0537	26.00*2.05
F0538	26.00*2.50
F0539	26.00*2.65
F0540	26.00*3.00
F0541	26.00*3.50
F0542	26.34*5.33
F0543	26.50*2.04
F0544	26.50*2.65

编码	产品尺寸 (内径*线径)
F0545	26.57*3.53
F0546	26.59*2.95
F0547	26.60*3.20
F0548	26.64*2.62
F0549	26.64*2.80
F0550	26.70*1.78
F0551	27.00*1.50
F0552	27.00*2.00
F0553	27.00*2.50
F0554	27.00*2.65
F0555	27.00*3.00
F0556	27.00*3.10
F0557	27.00*4.00
F0558	27.38*3.90
F0559	27.40*2.70
F0560	27.50*0.80
F0561	27.70*3.50
F0562	27.95*3.20
F0563	28.00*1.00
F0564	28.00*1.80
F0565	28.00*2.00
F0566	28.00*2.20
F0567	28.00*2.50
F0568	28.00*2.65
F0569	28.00*3.00
F0570	28.00*3.55
F0571	28.00*4.00
F0572	28.17*3.53
F0573	28.24*2.62
F0574	28.30*1.78
F0575	28.50*0.80
F0576	28.50*3.10
F0577	28.50*5.00
F0578	28.50*5.50

编码	产品尺寸 (内径*线径)
F0579	28.60*3.00
F0580	28.70*3.50
F0581	28.80*0.80
F0582	28.85*3.04
F0583	29.00*1.50
F0584	29.00*2.00
F0585	29.00*2.50
F0586	29.00*3.00
F0587	29.20*3.50
F0588	29.30*2.62
F0589	29.40*1.80
F0590	29.40*3.10
F0591	29.50*3.65
F0592	29.70*3.50
F0593	29.74*2.95
F0594	29.74*3.53
F0595	29.82*2.62
F0596	29.87*1.78
F0597	30.00*0.80
F0598	30.00*1.50
F0599	30.00*2.00
F0600	30.00*2.20
F0601	30.00*2.50
F0602	30.00*2.65
F0603	30.00*3.00
F0604	30.00*3.55
F0605	30.05*1.78
F0606	30.50*1.00
F0607	30.60*1.20
F0608	30.70*3.50
F0609	31.00*2.00
F0610	31.00*2.50
F0611	31.00*3.00
F0612	31.00*3.50

编码	产品尺寸 (内径*线径)
F0613	31.00*3.85
F0614	31.00*5.50
F0615	31.00*7.50
F0616	31.12*5.33
F0617	31.20*2.40
F0618	31.34*3.53
F0619	31.42*2.62
F0620	31.47*1.78
F0621	31.50*3.55
F0622	31.50*3.88
F0623	31.60*3.20
F0624	31.70*3.50
F0625	32.00*0.70
F0626	32.00*2.00
F0627	32.00*2.50
F0628	32.00*3.00
F0629	32.50*2.65
F0630	32.50*3.00
F0631	32.92*3.53
F0632	32.99*2.62
F0633	32.99*2.68
F0634	32.99*2.75
F0635	33.00*2.00
F0636	33.00*2.50
F0637	33.00*3.00
F0638	33.05*1.78
F0639	33.20*2.40
F0640	33.50*1.50
F0641	33.50*1.80
F0642	33.50*2.65
F0643	33.50*3.55
F0644	33.70*3.50
F0645	33.70*2.40
F0646	34.00*2.00

编码	产品尺寸 (内径*线径)
F0647	34.00*2.50
F0648	34.00*2.80
F0649	34.00*4.00
F0650	34.30*0.80
F0651	34.40*3.10
F0652	34.42*2.95
F0653	34.50*2.65
F0654	34.50*2.85
F0655	34.52*3.53
F0656	34.59*2.62
F0657	34.65*1.78
F0658	34.95*3.40
F0659	35.00*1.50
F0660	35.00*2.00
F0661	35.00*2.50
F0662	35.00*3.10
F0663	35.10*2.30
F0664	35.50*1.80
F0665	35.50*2.00
F0666	35.50*2.10
F0667	35.50*2.65
F0668	36.00*0.85
F0669	36.00*2.00
F0670	36.00*2.50
F0671	36.00*3.00
F0672	36.00*3.50
F0673	36.09*3.53
F0674	36.17*2.62
F0675	36.50*1.50
F0676	36.50*1.80
F0677	36.50*2.65
F0678	36.70*2.50
F0679	37.00*1.00
F0680	37.00*2.00

编码	产品尺寸 (内径*线径)
F0681	37.00*2.50
F0682	37.00*3.00
F0683	37.00*3.50
F0684	37.00*4.00
F0685	37.20*2.40
F0686	37.47*3.00
F0687	37.50*1.80
F0688	37.50*2.65
F0689	37.69*3.53
F0690	37.77*2.62
F0691	37.80*1.78
F0692	37.82*1.78
F0693	38.00*1.50
F0694	38.00*2.00
F0695	38.00*2.50
F0696	38.00*2.65
F0697	38.00*3.00
F0698	38.30*3.30
F0699	38.30*3.55
F0700	38.40*1.80
F0701	38.50*1.00
F0702	38.50*3.00
F0703	38.70*1.80
F0704	38.80*1.60
F0705	39.00*2.00
F0706	39.00*2.50
F0707	39.00*3.00
F0708	39.34*2.62
F0709	39.50*2.80
F0710	39.70*2.40
F0711	40.00*1.80
F0712	40.00*2.00
F0713	40.00*2.50
F0714	40.00*2.65

编码	产品尺寸 (内径*线径)
F0715	40.00*3.00
F0716	40.00*3.55
F0717	40.00*5.00
F0718	40.20*5.40
F0719	40.50*5.00
F0720	40.87*3.53
F0721	40.94*2.62
F0722	41.00*1.60
F0723	41.00*1.78
F0724	41.00*2.00
F0725	41.00*2.50
F0726	41.00*3.00
F0727	41.20*2.65
F0728	41.50*2.00
F0729	41.55*2.34
F0730	41.70*3.50
F0731	41.80*2.30
F0732	42.00*1.50
F0733	42.00*2.00
F0734	42.00*2.50
F0735	42.00*3.00
F0736	42.00*5.00
F0737	42.30*1.78
F0738	42.50*3.55
F0739	42.50*5.50
F0740	42.52*2.62
F0741	42.98*1.78
F0742	43.00*2.50
F0743	43.70*1.80
F0744	43.70*3.50
F0745	43.70*3.55
F0746	44.00*3.00
F0747	44.04*3.53
F0748	44.12*2.62

编码	产品尺寸 (内径*线径)
F0749	44.17*1.78
F0750	44.40*3.10
F0751	44.50*2.00
F0752	44.50*2.30
F0753	44.70*3.50
F0754	45.00*1.70
F0755	45.00*1.80
F0756	45.00*2.00
F0757	45.00*2.65
F0758	45.00*3.55
F0759	45.00*7.00
F0760	45.69*2.62
F0761	46.00*1.50
F0762	46.00*2.00
F0763	46.00*2.20
F0764	46.00*2.50
F0765	46.00*3.00
F0766	46.99*5.33
F0767	47.00*3.00
F0768	47.22*3.53
F0769	47.29*2.62
F0770	47.35*1.78
F0771	48.00*2.00
F0772	48.00*3.00
F0773	48.20*2.80
F0774	48.70*1.80
F0775	48.70*2.65
F0776	48.70*2.80
F0777	48.70*3.50
F0778	48.90*2.62
F0779	49.15*1.78
F0780	49.60*5.70
F0781	50.00*1.80
F0782	50.00*2.00

编码	产品尺寸 (内径*线径)
F0783	50.00*2.50
F0784	50.00*2.65
F0785	50.00*3.00
F0786	50.39*3.53
F0787	50.50*2.50
F0788	50.52*1.78
F0789	51.00*2.50
F0790	51.50*2.65
F0791	51.50*3.55
F0792	51.60*1.27
F0793	52.00*2.00
F0794	52.00*3.00
F0795	52.07*2.62
F0796	53.00*1.50
F0797	53.00*2.00
F0798	53.00*2.65
F0799	53.09*3.00
F0800	53.50*5.40
F0801	53.57*3.53
F0802	53.64*2.62
F0803	53.70*1.78
F0804	54.00*3.00
F0805	54.50*2.65
F0806	54.60*5.70
F0807	55.00*2.00
F0808	55.00*4.00
F0809	55.60*5.70
F0810	56.00*2.00
F0811	56.00*2.50
F0812	56.00*2.65
F0813	56.00*3.00
F0814	56.74*3.53
F0815	56.82*2.62
F0816	56.87*1.78

编码	产品尺寸 (内径*线径)
F0817	57.00*1.50
F0818	57.00*2.00
F0819	57.00*2.30
F0820	57.00*5.00
F0821	57.60*5.70
F0822	58.00*2.65
F0823	58.00*3.55
F0824	58.42*2.62
F0825	58.60*5.70
F0826	59.00*3.00
F0827	59.52*2.00
F0828	59.60*5.70
F0829	59.99*2.62
F0830	60.00*2.00
F0831	60.00*3.55
F0832	60.05*1.78
F0833	61.60*2.62
F0834	61.80*3.10
F0835	61.90*3.53
F0836	62.00*2.00
F0837	62.40*1.30
F0838	62.50*2.00
F0839	63.00*2.00
F0840	63.00*3.55
F0841	63.17*2.62
F0842	63.22*1.78
F0843	64.00*3.00
F0844	64.60*5.70
F0845	65.00*2.00
F0846	65.00*2.65
F0847	66.00*2.20
F0848	66.10*5.30
F0849	66.27*3.53
F0850	66.40*1.78

编码	产品尺寸 (内径*线径)
F0851	67.00*2.00
F0852	67.00*2.20
F0853	67.00*2.50
F0854	67.00*2.65
F0855	67.00*3.00
F0856	67.95*2.62
F0857	68.00*2.00
F0858	69.00*2.65
F0859	69.22*5.33
F0860	69.44*3.53
F0861	69.52*2.62
F0862	69.57*1.78
F0863	70.00*2.00
F0864	70.00*3.00
F0865	70.00*5.00
F0866	72.00*1.50
F0867	72.00*2.00
F0868	72.00*2.50
F0869	72.39*5.33
F0870	72.75*1.78
F0871	73.00*2.50
F0872	73.00*3.55
F0873	73.00*4.00
F0874	74.60*5.70
F0875	75.00*2.00
F0876	75.00*2.65
F0877	75.79*3.53
F0878	75.80*3.20
F0879	75.87*2.62
F0880	75.92*1.78
F0881	76.00*4.00
F0882	78.00*2.00
F0883	78.00*2.20
F0884	78.74*5.33

编码	产品尺寸 (内径*线径)
F0885	78.97*3.53
F0886	79.00*3.20
F0887	79.30*2.00
F0888	80.00*2.65
F0889	80.00*5.30
F0890	81.08*2.62
F0891	82.00*2.00
F0892	82.00*4.00
F0893	82.14*3.53
F0894	82.22*2.62
F0895	82.27*1.78
F0896	83.40*3.50
F0897	84.00*4.00
F0898	85.00*2.65
F0899	85.00*3.55
F0900	85.32*3.53
F0901	85.50*4.30
F0902	85.50*5.40
F0903	87.50*3.55
F0904	88.00*3.20
F0905	88.27*5.33
F0906	88.57*2.62
F0907	88.62*1.78
F0908	88.70*5.00
F0909	89.60*5.70
F0910	90.00*2.65
F0911	90.00*4.00
F0912	90.00*5.00
F0913	90.00*7.00
F0914	92.00*3.10
F0915	92.50*1.80
F0916	94.60*5.70
F0917	94.62*5.33
F0918	94.84*3.53

编码	产品尺寸 (内径*线径)
F0919	95.00*5.00
F0920	95.00*5.30
F0921	95.00*7.00
F0922	97.00*1.78
F0923	97.79*5.33
F0924	98.00*3.00
F0925	98.02*3.53
F0926	99.40*3.10
F0927	100.00*2.65
F0928	101.32*1.78
F0929	102.00*5.30
F0930	104.37*3.53
F0931	105.00*3.70
F0932	105.00*7.00
F0933	106.00*3.55
F0934	107.62*2.62
F0935	108.60*5.70
F0936	109.40*3.10
F0937	110.00*2.00
F0938	110.00*4.00
F0939	110.49*5.33
F0940	112.00*2.65
F0941	113.00*10.00
F0942	113.89*3.53
F0943	114.00*2.60
F0944	114.60*5.70
F0945	117.07*3.53
F0946	118.00*2.65
F0947	118.00*5.00
F0948	120.00*2.80
F0949	123.00*5.60
F0950	123.30*5.70
F0951	123.42*3.53
F0952	124.40*5.70

编码	产品尺寸 (内径*线径)
F0953	126.67*2.62
F0954	127.00*2.00
F0955	129.40*3.10
F0956	129.54*5.33
F0957	129.77*3.53
F0958	130.00*2.00
F0959	132.72*6.99
F0960	133.02*2.62
F0961	133.07*1.78
F0962	134.40*3.10
F0963	135.00*2.05
F0964	135.00*3.50
F0965	136.12*3.53
F0966	137.00*5.70
F0967	139.07*5.33
F0968	139.37*2.62
F0969	139.60*5.70
F0970	139.98*4.32
F0971	140.00*1.78
F0972	142.24*5.33
F0973	144.60*5.70
F0974	145.00*3.55
F0975	145.00*5.70
F0976	145.42*6.99
F0977	145.72*2.62
F0978	149.00*6.00
F0979	151.77*5.33
F0980	151.99*3.53
F0981	152.07*2.62
F0982	158.42*2.62
F0983	158.75*3.53
F0984	160.00*2.00
F0985	160.00*5.70
F0986	165.00*2.00

编码	产品尺寸 (内径*线径)
F0987	166.50*3.50
F0988	168.00*2.00
F0989	171.04*3.53
F0990	180.00*3.55
F0991	186.00*3.50
F0992	189.87*5.33
F0993	196.22*5.33
F0994	200.00*3.55
F0995	214.00*5.30
F0996	221.62*5.33
F0997	240.67*5.33
F0998	250.00*5.30
F0999	253.59*3.53
F1000	337.35*2.65
F1001	411.50*5.33
F1002	466.00*10.00
F1003	487.00*5.33
F1004	511.80*5.33

各种型号垫片,异型垫片
可定制汽车配件设计开发

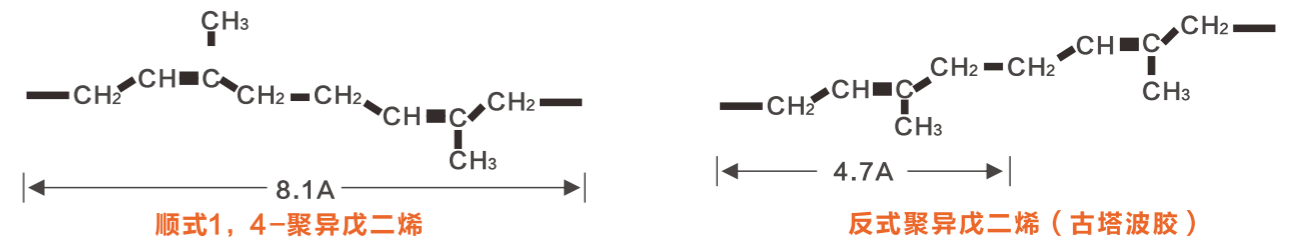
橡胶发展历史

● 天然橡胶的发现和利用

橡胶工业的开始: 1823年, 英国人创办的橡胶生产防水布。
橡胶工业的基础: 1826年, Hancock发明开放式炼胶机。
1839年, Goodyear发明橡胶硫化工艺。
橡胶工业的起飞: 1888年, Dunlop发明充气轮胎。

● 合成橡胶的发展和应用

1990年, 人们了解了天然橡胶的分子结构, 顺式1,4-聚异戊二烯。它的等周期为8.1A, 分子易内旋转具有弹性, 规整性差不易结晶, 熔融温度为30℃。

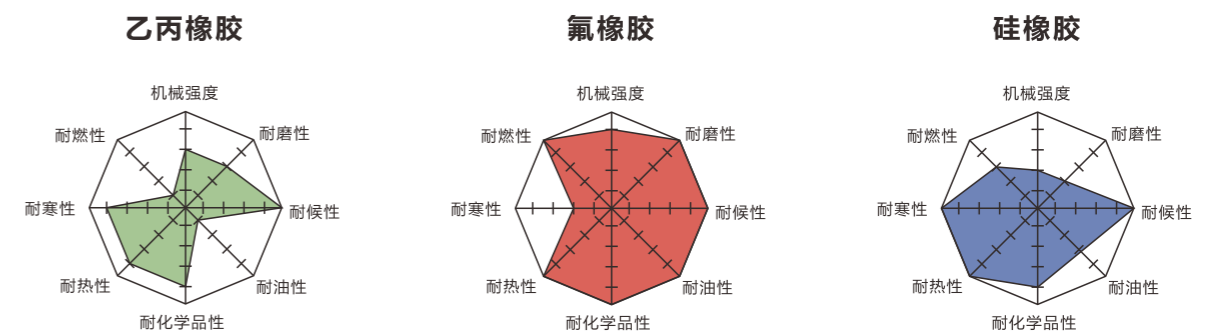


● ○型圈特点

○型圈是一种小截面的圆环形密封元件, 常用截面的是圆形。主要材料为合成橡胶, 在液压工程中是用的最多、最普遍的一种密封件, 主要做静密封及滑动密封用。与其他密封件比有如下特点:

- a. 密封性好, 寿命长。
- b. 单圈就可对两个方向起密封作用。
- c. 对油液、温度和压力的适应性好。
- d. 动摩擦阻力小。
- e. 体积小, 重量轻, 成本低。
- f. 密封部分结构简单, 拆装方便。
- g. 既可做静密封也可做动密封。
- h. 尺寸和沟槽已被标准化, 选用和外购方便。

● ○型圈常见材料特性比较图



O型圈安装配合设计参考

● 密封件系

以弹性材料制作之元件，用于阻截或控制之流向，以便达到密封或动作之要求，其基本分类如下

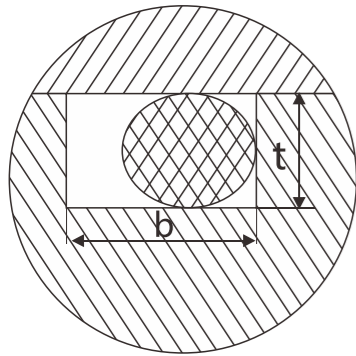
● 静态密封

外漏型：如手表防水圈（约210kg/平面厘米）
内漏型：如管接头用密封圈（约210kg/平方厘米）

● 动态密封

旋转型：如齿轮箱之骨架油封（约0.3kg/平面厘米）
往复型：如油缸用之聚氨酯油封（约400kg/平方厘米）；气缸用之丁腈密封圈（约210kg/平方厘米）

注意：以上所示工作压力，会因配套条件不同，而有所变化



密封圈线径 C/S	槽深 t	槽宽 b
1.00	0.80	1.30
1.50	1.10	1.90
1.60	1.20	2.10
1.78	1.30	2.30
1.90	1.40	2.40
2.00	1.50	2.60
2.40	1.80	3.10
2.50	1.90	3.20
2.62	2.00	3.40
2.70	2.10	3.50
3.00	2.30	3.90
3.50	2.70	4.50
3.53	2.70	4.50
3.60	2.80	4.70
4.00	3.15	5.20
4.50	3.60	5.80

密封圈线径 C/S	槽深 t	槽宽 b
5.00	4.00	6.50
5.33	4.30	6.90
5.50	4.50	7.10
5.70	4.65	7.40
6.00	4.95	7.80
6.50	5.40	8.40
6.99	5.85	9.10
7.00	5.85	9.10
7.50	6.30	9.70
8.00	6.75	10.40
8.40	7.15	10.90
8.50	7.25	11.00
9.00	7.70	11.70
9.50	8.20	12.30
10.00	8.65	13.00

● 工作介质

除了严格按照生产厂家的推荐意见选取工作介质外，保持工作介质的清洁至关重要。油液的老化或污染不仅会使系统中的元件发生故障，加快油封的老化和磨损，而且其中的脏物可能划伤或嵌入油封，使密封失效。因此，必须定期地检查油液品质及其清洁度；并按设备的维护规范更换滤油器或油液。在油缸里油液中残留空气经高压压缩会产生高温使油封烧坏，甚至炭化。为避免这种情况发生，在液压系统运行初始时，应进行排气处理。液压缸也应在低压慢速运行数分钟，确认已排完油液中残留空气，方可正常工作。

● 侧向负载

活塞上一般必段装支撑环，以保证油缸能承受较大的负载。密封件和支撑环起完全不同的作用，密封件不能代替支撑环负载。有侧向力的液压缸，必段加承载能力强支撑环，（重载时可用金属环），以防油封在偏听偏心的条件下工作引起的泄漏和异样磨损。

影响密封性能的其他因素

● O型圈的硬度

O型圈材料硬度是评定密封性能最重要的指标。O形圈的硬度决定了O形圈的压缩量和沟槽最大允许挤出间隙。由于邵氏A70的丁腈密封都能满足大部分的使用条件，故如对密封材料不作特殊说明，一般提供邵氏A70的丁腈橡胶。

● 压缩永久变形

评定O型圈密封性能的另一指标即所选材料的压缩永久变形。在压力作用下，作为弹性元件的O形圈，产生弹性变形，随着压力增大，也会出现永久的塑性变形。压缩永久变形d可由下式确定：

● 挤出间隙

最大允许挤出间隙g_{max}和系统压力、O形圈截面直径以及材料硬度有关。通常，工作压力越高，最大允许挤出间隙g_{max}取值越小。如果间隙g超过允许范围，就会导致O形圈挤出甚至损坏。

$$d = \frac{b_0 - b_2}{b_0 - b_1} * 100\%$$

b₀—原始厚度（即截面直径W）
b₁—压缩状态下的厚度
b₂—释放后的厚度

通常，为防止出现永久的塑性变形，O型圈允许的最大压缩在静密封中约为30%，在动密封中约为20%。

压力 Mpa	O形圈截面直径W				
	1.78	2.62	3.53	5.33	7.00
邵氏硬度A70					
≤3.50	0.08	0.09	0.10	0.13	0.15
≤7.00	0.05	0.07	0.08	0.09	0.10
≤10.50	0.03	0.04	0.05	0.07	0.08
邵氏硬度A80					
≤3.50	0.10	0.13	0.15	0.18	0.20
≤7.00	0.08	0.09	0.10	0.13	0.15
≤10.50	0.05	0.07	0.08	0.09	0.10
≤14.00	0.03	0.04	0.05	0.07	0.08
≤17.50	0.02	0.02	0.03	0.03	0.04
邵氏硬度A90					
≤3.50	0.13	0.15	0.20	0.30	0.25
≤7.00	0.10	0.13	0.15	0.18	0.20
≤10.50	0.07	0.09	0.10	0.13	0.15
≤14.00	0.05	0.07	0.08	0.09	0.10
≤17.50	0.04	0.05	0.07	0.08	0.09
≤21.00	0.03	0.04	0.05	0.07	0.08
≤35.00	0.02	0.03	0.03	0.04	0.04